



This TÜV and VdS-certified manual liquid barrier can be installed either inside (iL) or in front of (vL/iLS) the passage. The barrier is placed within two U-profiles/side guides.

Using two quick-lock tensioners, the liquid barrier is pressed watertight against the floor.

Closing, securing, and removing the barrier are done manually.

For storage, two L-shaped wall brackets are provided.

T/MB SS Version:

To reduce the weight per barrier, tall barriers can be stacked in multiple sections. The individual

panels are manually stacked within the U-profiles. The barriers are equipped with multiple handles for easy removal and transport.

## STANDARD DIMENSIONS

- barrier height\* S: 10 to 100 cm
- barrier height\* SS: 20 to 100 cm
- door or gate opening: 50 to 600 cm
- other dimensions available on request

## STANDARD FEATURES

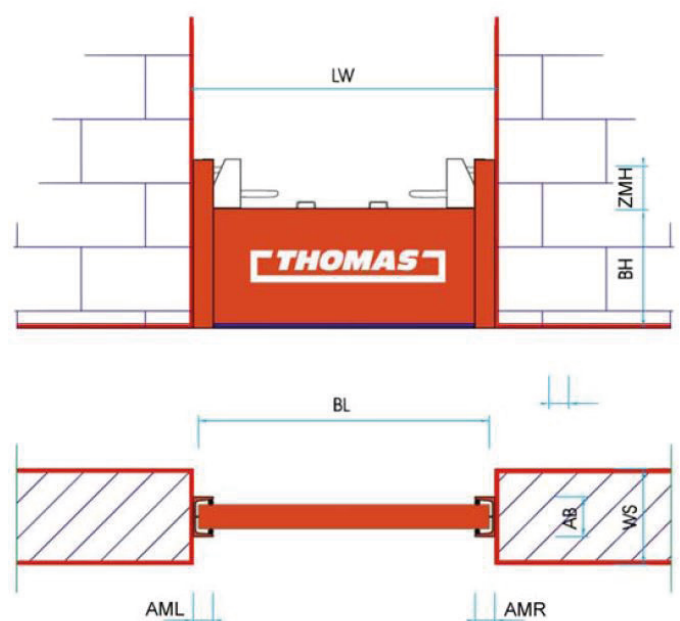
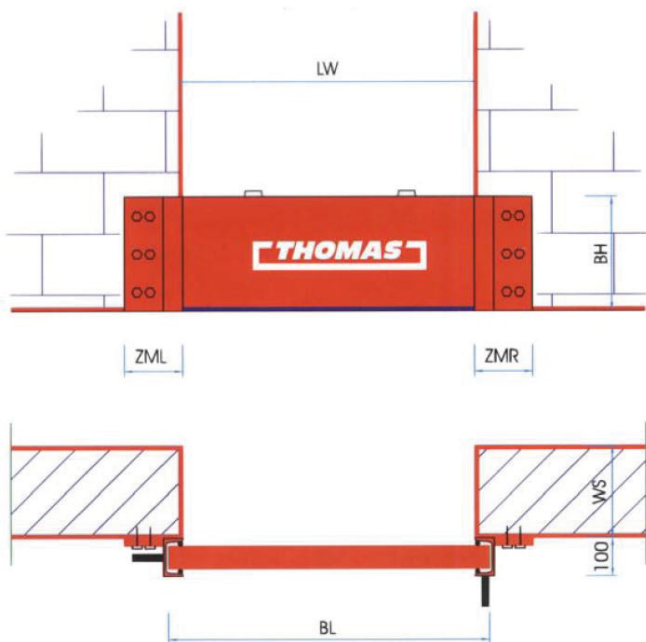
- wall bracket console
- locking mechanism with quick-lock tensioner
- color: RAL 3000 red

## RESPONSIBILITY OF THE CUSTOMER

- sufficient space on the left and right sides of the barrier

## OPTIONS

- protective PVC cover
- lifting brackets for handling with a forklift
- material choice in galvanized steel or stainless steel
- chemically resistant PTFE sealing
- impact protection



**LW** - clear opening  
**BL** - barrier length  
**BH** - barrier height  
**WS** - wall thickness  
**ZML** - required space on the left

**ZMR** - required space on the right  
**ZMH** - required free height  
**AML** - available space on the left  
**AMR** - available space on the right



Arbeitsschutzmanagement  
**SCC\***  
 • Gefährdungsidentifikation  
 und -analyse  
 • Risikobewertung  
 • Prävention  
 ID 15 106 12125  
[www.tuev-thueringen.de](http://www.tuev-thueringen.de)

