

## MANUAL PERMANENTLY BOLTED



This permanent liquid barrier consists of an L-profile, securely bolted to the floor and walls. The barrier is installed and sealed watertight with caulking. It is placed around a designated area to create compartments or along the walls of a building, suitable for both short and very long sections.

## STANDARD DIMENSIONS

- Barrier Height: 10 to 100 cm
- Barrier Length: starting from 50 cm
- Custom Dimensions: available on request

## STANDARD FEATURES

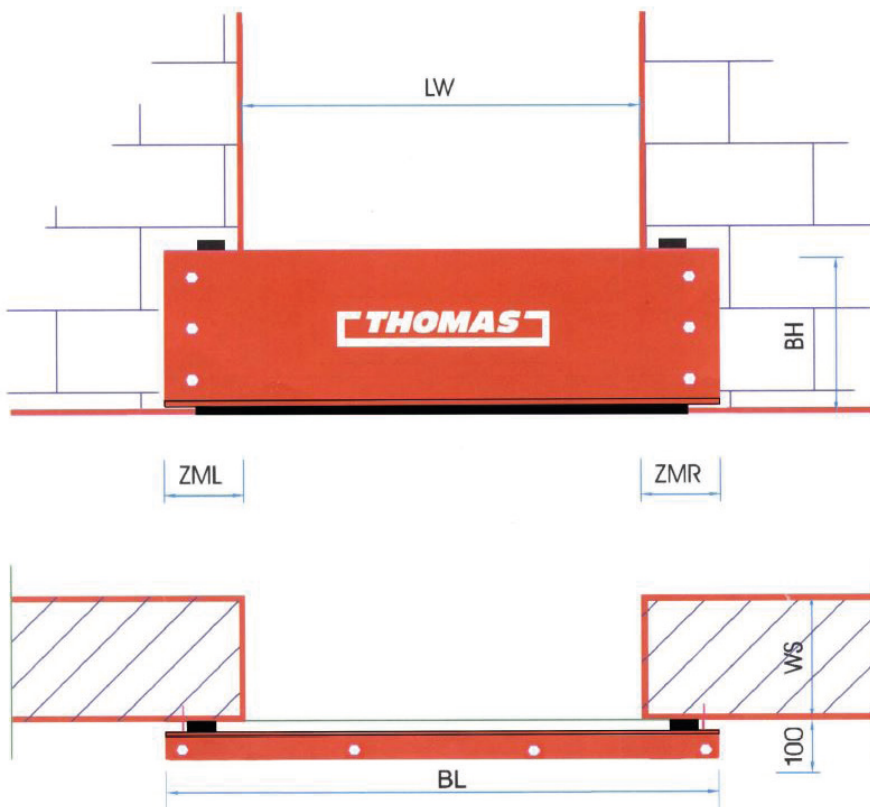
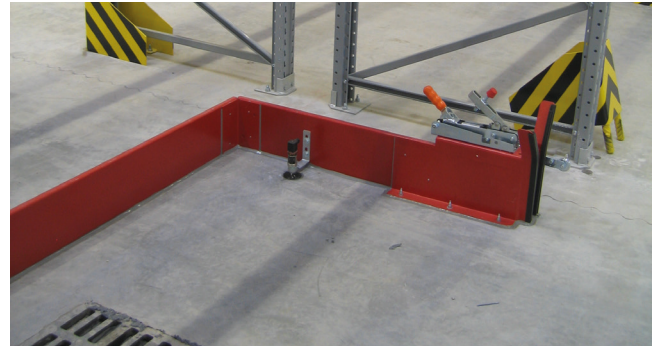
- color: RAL 3000 red

## RESPONSIBILITY OF THE CUSTOMER

- sufficient space on the left and right sides of the barrier

## OPTIONS

- material choice in galvanized steel or stainless steel
- chemically resistant PTFE sealing
- impact protection



- LW** - clear opening
- BL** - barrier length
- BH** - barrier height
- WS** - wall thickness
- ZML** - required space on the left
- ZMR** - required space on the right



Arbeitsschutzmanagement  
SCC  
• Gefährdungsidentifikation  
und -analyse  
• Risikobewertung  
• Prävention  
ID 15 106 12125  
[www.tuev-thueringen.de](http://www.tuev-thueringen.de)

